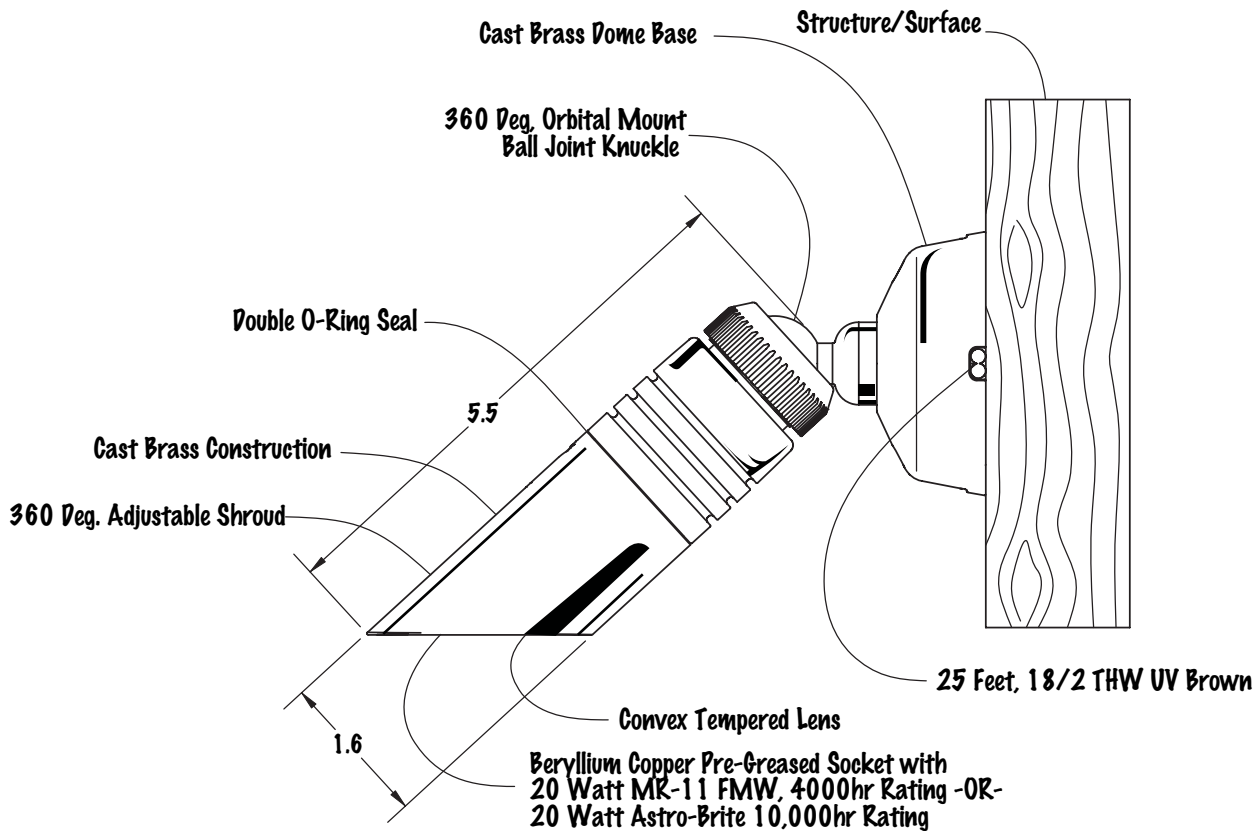


# UNIQUE

## LIGHTING SYSTEMS



- NOTES: -Lifetime Warranty  
 -Maximum Wattage: 20 Watts  
 -Included: Designer Lens Package  
 -Level of Light Application: 1, 2, & 3  
 -Weathered Brass Finish  
 -Ushio, GE, Sylvania or Astro-Brite Lamp Supplied

Part # 700003

UNIQUE LIGHTING SYSTEMS

1240 Simpson Way  
 Escondido, CA 92029  
 Phone: (800) 955-4831  
 Fax: (760) 740-0977

FIXTURE NAME

**NORTHSTAR**

DESCRIPTION

**MINI BULLET LIGHT**

REV

SCALE: NONE

WEIGHT: 1.2 lbs

7/31/07

# UNIQUE LIGHTING SYSTEMS

INNOVATIVE LIGHTING SOLUTIONS THAT LAST A LIFETIME

## PRODUCT ORDERING INFORMATION

**NORTHSTAR - B25 - 20 - WB -**  
**NORTHSTAR - B25 - AB20 - WB -**

### MODEL NAME

NORTHSTAR

### MATERIAL

B Brass

### WIRE LENGTH

- 25' #18-2  
 50' #18-2  
 Custom Length \_\_\_\_\_

### FINISH

- WB Weathered Brass  
 NB Natural Brass  
 TT Tucson Tan  
 VG Verde Green  
 BK Black  
 WH White  
 CC Custom Color \_\_\_\_\_

### OPTIONS

- 6PK 6 pack  
 24V 24 Volt

Denotes Standard

\* Please inquire about lead times on custom orders.

### LAMP SIZE

- 20 MR-11, 20 Watt  
 20 Astro-Brite, 20 Watt  
 CL Custom Lamp \_\_\_\_\_

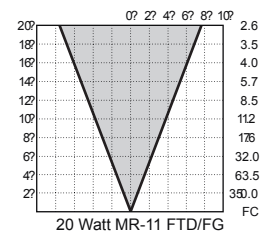
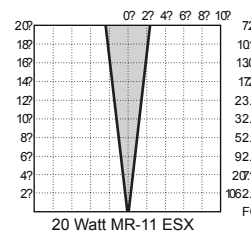
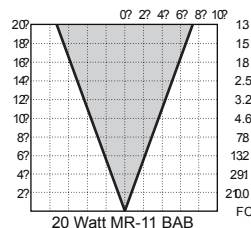
### LENS PACKAGE INCLUDED

DE-OP De-Op Frosted Lens  
 VI-OP Vi-Op Spread Lens  
 AX-OP Ax-Op Linear Lens  
 HEX Honeycomb Glare Lens

### OPTIONAL ACCESSORIES (Sold Separately)

MR11BLUE Blue Lens for MR11 Lamp  
 MR11-BLUE Blue Lens for MR11 Lamp  
 MR11-GRN Green Lens for MR11 Lamp  
 MR11-RED Red Lens for MR11 Lamp  
 6PK 6 Pack

### PHOTOMETRICS



# UNIQUE LIGHTING SYSTEMS, INC.

12/24 Volt Submittal Form

<b>Type:</b> <b>Job:</b> <b>Fixture Part Number:</b>  <hr/> Fixture and Finish	<b>Fixture Options:</b>  <hr/> Ordered Separately	<b>Approvals:</b>       <b>Date:</b>
	<b>Mounting Options:</b>  <hr/> Ordered Separately	

**General Notes:**

**Additional Ordering Information:**

UNIQUE LIGHTING SYSTEMS, INC.

1240 Simpson Way Escondido, CA 92029  
Phone 800.955.9851 Fax 800.955.9852 www.uniquelighting.com