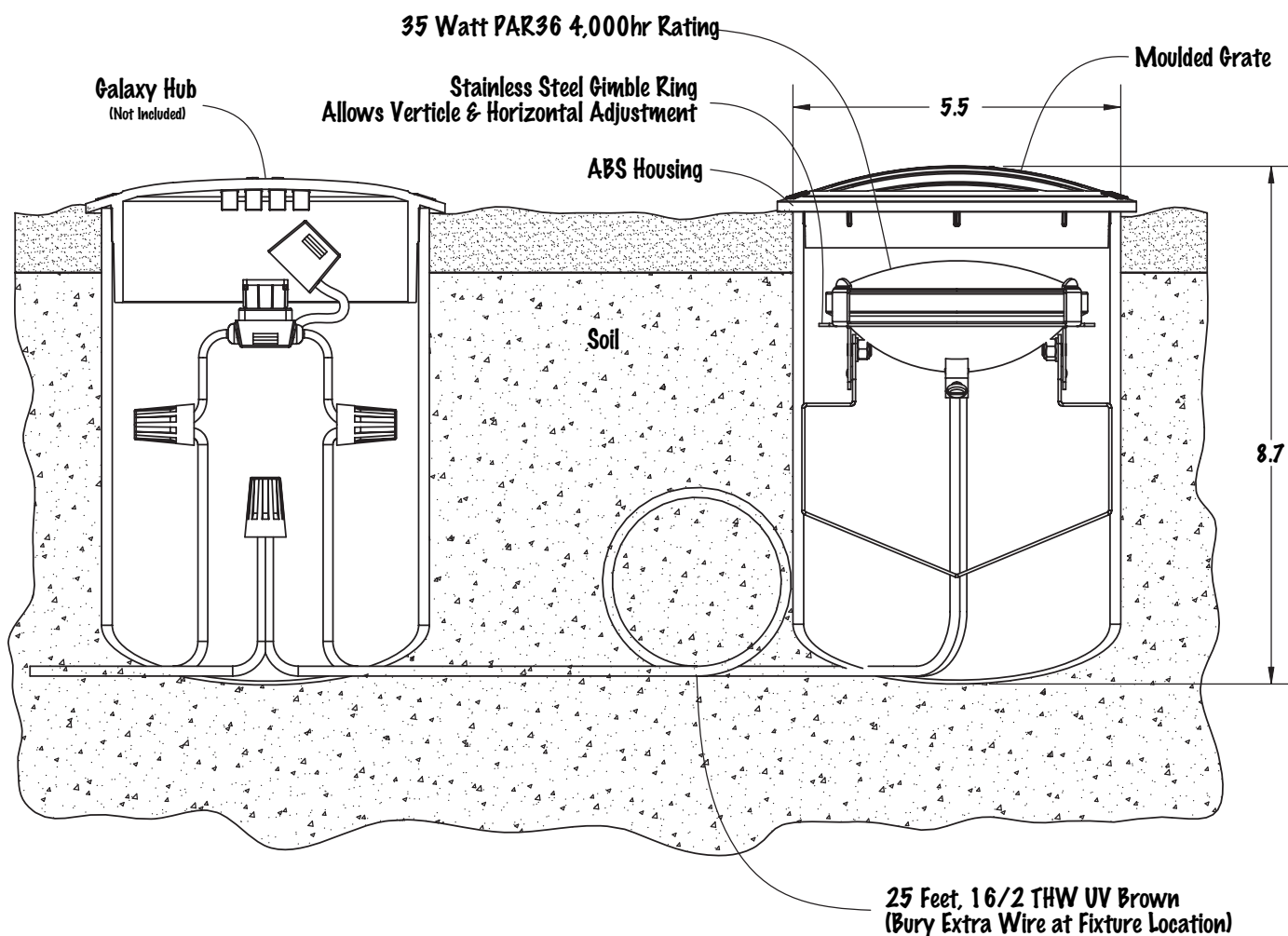


UNIQUE

LIGHTING SYSTEMS



- NOTES: -15 Year Warranty
 -Maximum Wattage: 35 Watts
 -Level of Light Application: 1, 2 & 3
 -Included: Molded Grate

UNIQUE LIGHTING SYSTEMS

1240 Simpson Way
 Escondido, CA 92029
 Phone (800) 955-4831
 Fax (760) 740-0977

FIXTURE NAME

F-225-G

DESCRIPTION

PAR 36 WELL LIGHT

REV

SCALE: NONE

WEIGHT: 1.9 lbs

9/13/07

