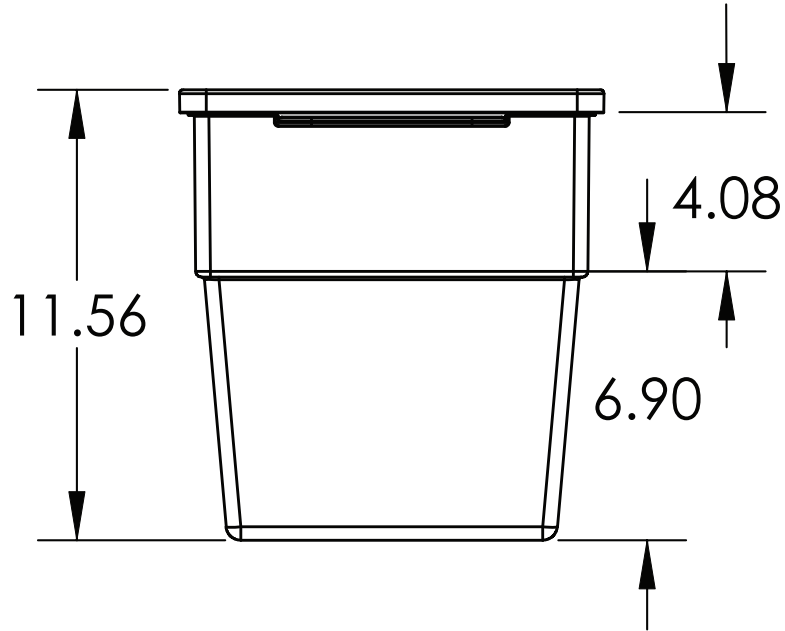
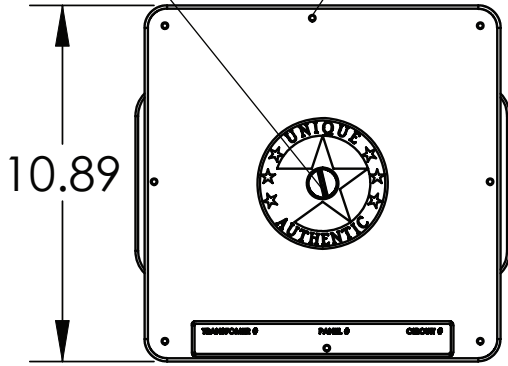


UNIQUE LIGHTING SYSTEMS

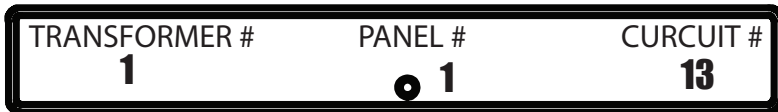
24V Subterranean Transformer Series (Direct Burial)

1/2-14 NPSM threaded hole for mounting fixture into lid of the transformer.

(8) 10/32 stainless steel machine screws to ensure a proper firm seal.



Name plate modded into lid of unit.



SPECIFICATIONS:

(Specifications subject to change without notice)

Construction: Durable UV Resistant Composite box (Complies with NEMA 3R)

Fuse Type : Replaceable 3AG Time Delay (glass slow blow fuse)

Core: Magnetic Single Core (97 % Efficiency)

Power cord: Unit must be hardwired.

Instructions, 3lbs of Parifin wax to seal enclosure, Construction grade aluminum foil and trash bag.

Go to website for listing details.

Lifetime Warranty***

*** Go to WWW.UNIQUELIGHTING.COM for details.

Output Wattage	Output Leads	120v		208v		240v		277v	
		Max Amps	Fuse Size	Max Amps	Fuse Size	Max Amps	Fuse Size	Max Amps	Fuse Size
360	(24-26v)	3.00	4.00			(2) x 1.50	(2) x 2.00		
600	(24-27v)	5.00	6.00			(2) x 2.50	(2) x 3.00		
840	(24-28v)	7.00	8.00			(2) x 3.50	(2) x 4.00		
1120	(24-30v)	9.33	10.00			(2) x 4.66	(2) x 5.00	4.04	5.0
1500	(24-30v)	12.50	13.00			(2) x 6.25	(2) x 7.00		
1838	(24-30v)	15.31	16.00			(2) x 7.65	(2) x 8.00		

Sample part # 360 | DB | SF | 208 | 24V

MODEL NAME

TYPE

OPTION # 1

OPTION # 2

OUTPUT

Transformer Wattage	Output Leads
360	(24-26v)
600	(24-27v)
840	(24-28v)
1120	(24-30v)
1500	(24-30v)
1838	(24-30v)

DB
Direct Burial Composite Enclosure.

SF
Inline fuseholder on each common. You can fuse to load amperage.

208
208v 60hz primary power.
 240
240v 60hz primary power.
 277
277v 60hz primary power.

24V
24V secondary output.

