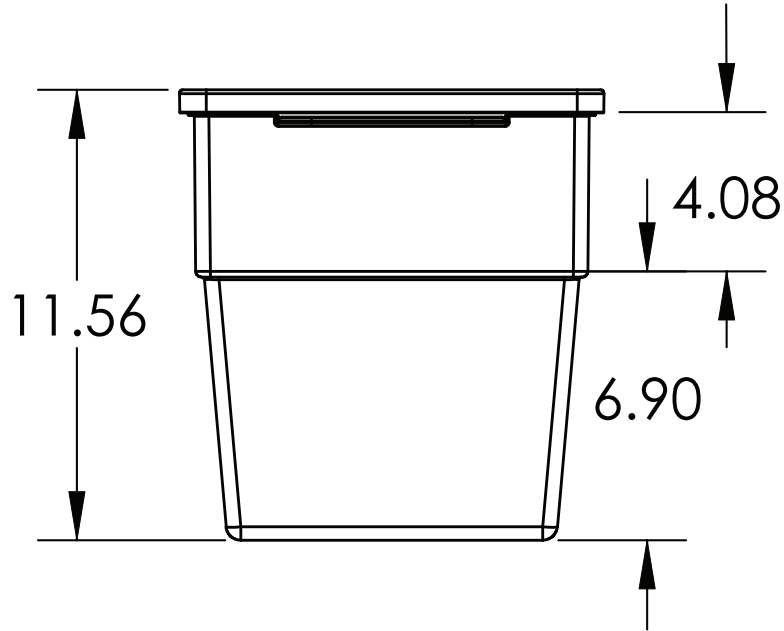
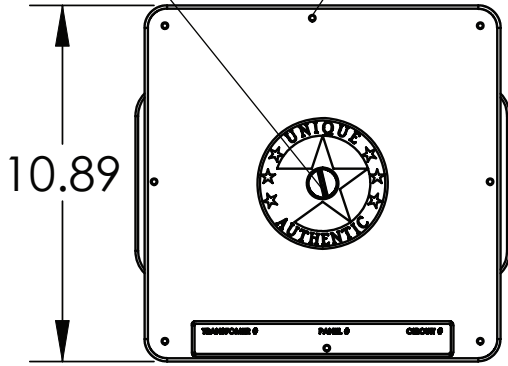


UNIQUE LIGHTING SYSTEMS

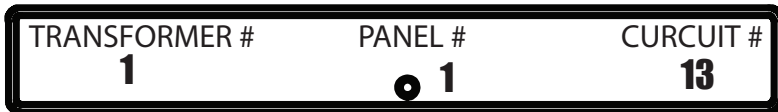
12V Subterranean Transformer Series (Direct Burial)

1/2-14 NPSM threaded hole for mounting fixture into lid of the transformer.

(8) 10/32 stainless steel machine screws to ensure a proper firm seal.



Name plate modded into lid of unit.



SPECIFICATIONS:

(Specifications subject to change without notice)

Construction: Durable UV Resistant Composite box (Complies with NEMA 3R)

Fuse Type : Replaceable 3AG Time Delay (glass slow blow fuse)

Core: Magnetic Single Core (97 % Efficiency)

Power cord: Unit must be hardwired.

Instructions, 3lbs of Parifin wax to seal enclosure, Construction grade aluminum foil and trash bag.

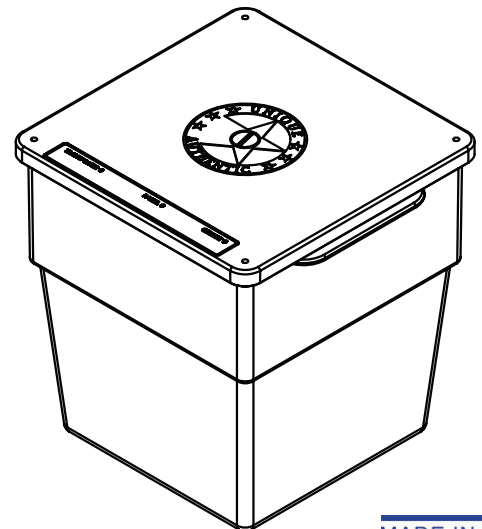
Go to website for listing details.

Lifetime Warranty***

*** Go to WWW.UNIQUELIGHTING.COM for details.

Output Wattage	Output Leads	120v		208v		240v		277v	
		Max Amps	Fuse Size	Max Amps	Fuse Size	Max Amps	Fuse Size	Max Amps	Fuse Size
310	(12-13v)	2.58	3.00	1.49	2.00	(2) x 1.29	(2) x 1.50	1.11	1.5
360	(12-15v)	3.00	4.00			(2) x 1.50	(2) x 2.00		
500	(12-17v)	4.16	5.00	2.40	3.00	(2) x 2.08	(2) x 2.50		
600	(12-17v)	5.00	6.00			(2) x 2.50	(2) x 3.00		
840	(12-20v)	7.00	8.00			(2) x 3.50	(2) x 4.00		
1120	(12-22v)	9.33	10.00			(2) x 4.66	(2) x 5.00	4.04	5.0
1500	(12-22v)	12.50	13.00			(2) x 6.25	(2) x 7.00		
1838	(12-22v)	15.31	16.00			(2) x 7.65	(2) x 8.00		

Sample part # **360** | **DB** | **SF** | **208**



MODEL NAME	TYPE	OPTION # 1	OPTION # 2
Transformer Wattage	<input type="checkbox"/> DB Direct Burial Composite Enclosure.	<input type="checkbox"/> SF Inline fuseholder on each common. You can fuse to load amperage.	<input type="checkbox"/> 208 208v 60hz primary power.
310	<input type="checkbox"/> HLDB 12V only Direct Burial Composite Enclosure. 310 thru 1120 units only.		<input type="checkbox"/> 240 240v 60hz primary power.
360			<input type="checkbox"/> 277 277v 60hz primary power.
500			
600			
840			
1120			
1500			
1838			

Unique Lighting Systems, All Rights Reserved

1240 Simpson Way, Escondido, CA. 92029. Tel:(800) 955-4831 Fax:(760) 740-0977

